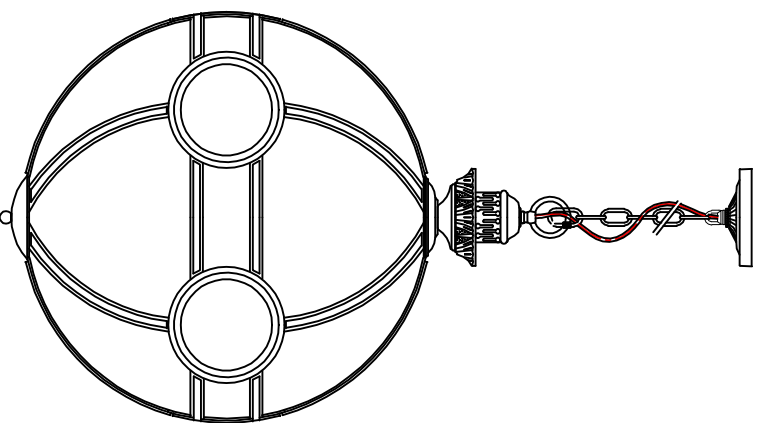


Trade Mark:
CRYSTAL WORLD INC

Product Name: Pendant lamp
Model :9696P20-3-101
120Vac, 60Hz,AC ONLY
Lamp Size:ø20"xH28"

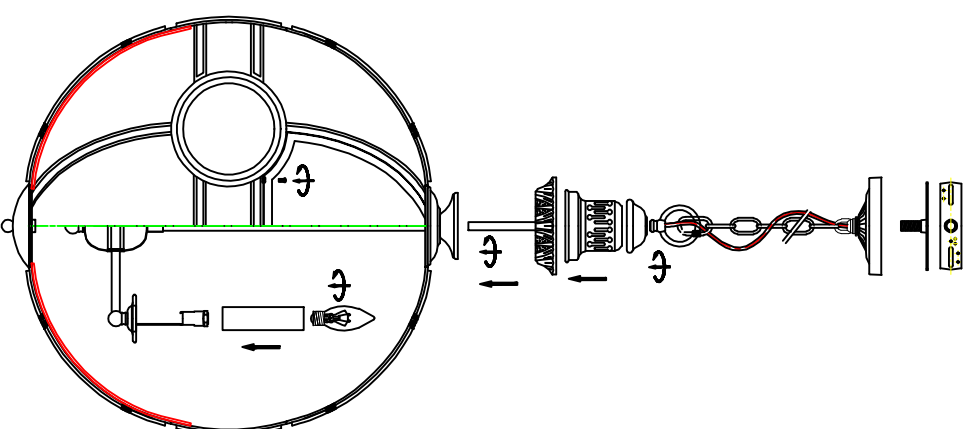


Page 1/4



PENDANT LAMP ASSEMBLY INSTRUCTIONS

1. Install bulb(s) (NOT INCLUDED), USE 120V E12  3x40W Max.



Page 2/4

